

Cable Tie Fixings — Screw Mount Bases

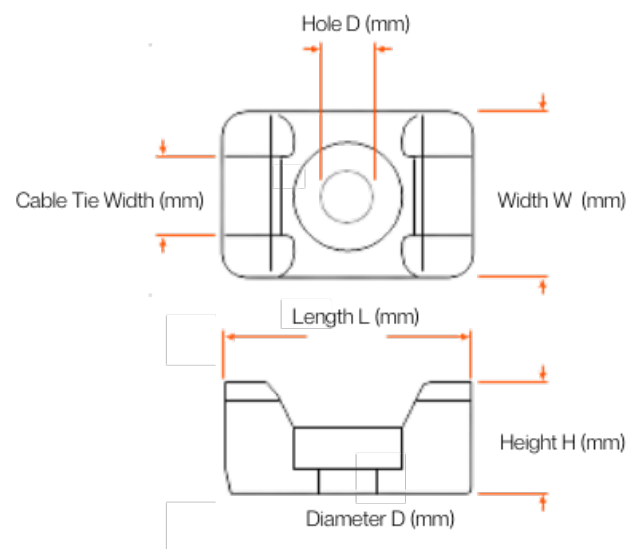
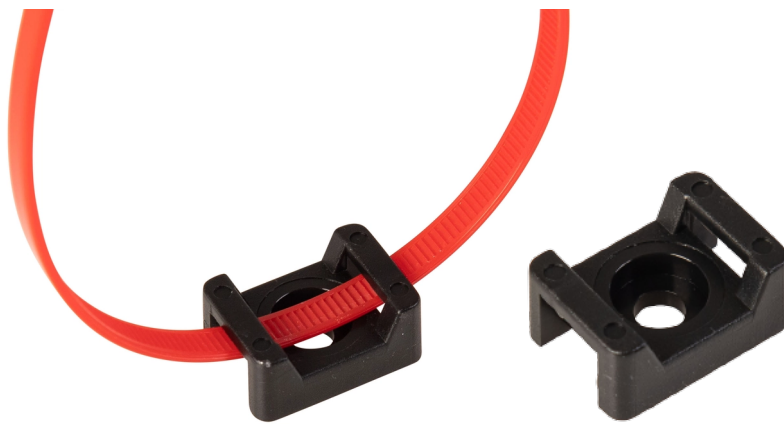


Product features:

- Ideal for securing cable ties to a flat surface
- Saddle design provides maximum stability to wire bundles

Technical Information

Quantity	100 cable tie fixings per pack
Material	UL approved Nylon 66, 94V-2
Operating temperature	-40°C to +85°C



Length x Width (mm)	Height (mm)	Hole Diameter (mm)	Suitable for max. cable tie width (mm)	Box Quantity*	SKU	Colour
18 x 13	8.2	4.0	5.0	100	GCTSSC	<input type="checkbox"/> <input type="checkbox"/>
22 x 16	9.5	5.0	9.5	100	GCTMSC	<input type="checkbox"/> <input type="checkbox"/>
40 x 18.5	16.5	6.0	12.7	100	GCTLSC	<input type="checkbox"/>

*Box quantity refers to quantity of packs

Please specify the colour after the Part No./SKU:

Colour Key: Black: B, Natural: N