

Cable Tie Installation Tool for Stainless Steel Ties

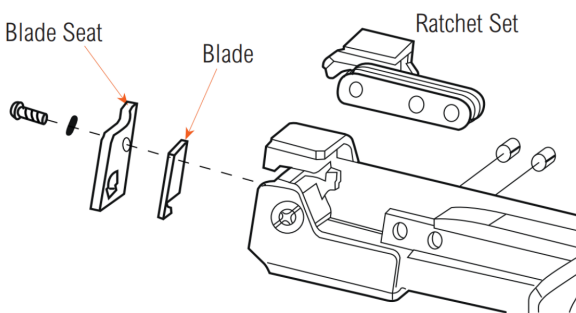
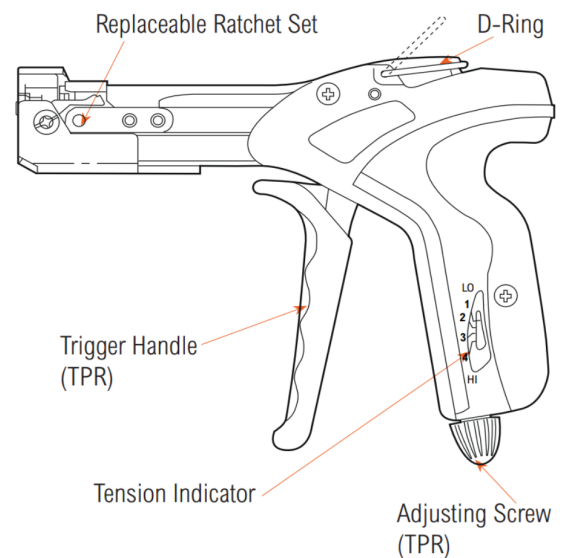


Product features:

- Heavy duty tool with adjustable tension pressure
- Tool will correctly tension the ties and automatically cut off the tail when this is achieved
- Compatible with stainless steel cable ties including the coated range
- For use with cable ties between 4.5 mm and 7.9 mm in width

Technical Information

Main body	Aluminium
Blade	Carbon steel SK5 (HRC: 60-65)
Ratchet	Stainless steel (HRC: 57-61)



Strength Level	Cable Tie Width (mm)	Tension Strength (kgf)
1	4.5	31.5
2	4.5	47.0
3	7.9	58.7
4	7.9	65.0

Tool Length x Width (mm)	Use (Type of Cable Tie)	Cable Tie Thickness (mm)	Cable Tie Width (mm)	SKU	Colour
178 x 140	Stainless Steel	Up to 0.3	4.5 - 7.9	GCTSSIT	■