

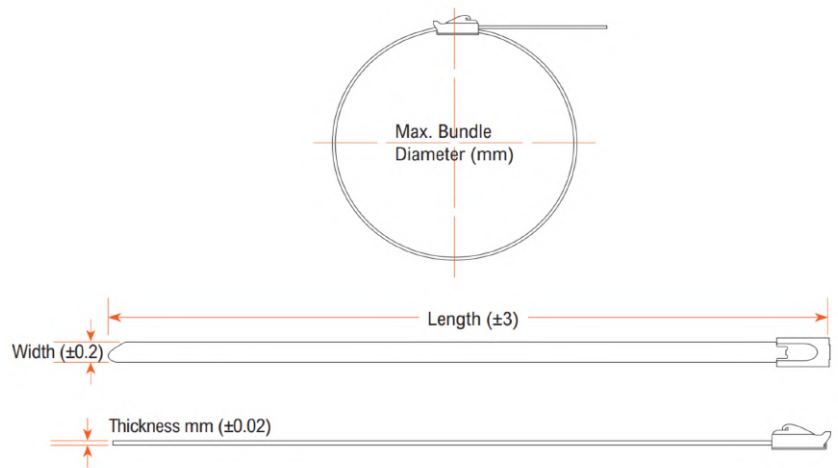
Stainless Steel Cable Ties — Black Polyester Coated



Product features:

- Provides a strong, durable method of cable bundling
- Self locking head design speeds installation and locks into place at any length

Technical Information	
Quantity	100 cable ties per pack
Material	Marine Grade 316 Stainless Steel
Coating	Black Pure Polyester Coating
Operating temperature	-60°C to +150°C



Length x Width (mm)	Max. Bundle Diameter (mm)	Min. Loop Tensile Strength (kg)	Box Quantity*	SKU	Colour
150 x 4.6	40	48	50	GCT15046BCSS	■
150 x 7.9	40	122	25	GCT15079BCSS	■
200 x 4.6	56	48	50	GCT20046BCSS	■
200 x 7.9	56	122	25	GCT20079BCSS	■
260 x 4.6	75	48	50	GCT26046BCSS	■
300 x 4.6	88	48	50	GCT30046BCSS	■
300 x 7.9	88	122	25	GCT30079BCSS	■
360 x 4.6	107	48	25	GCT36046BCSS	■
360 x 7.9	107	122	25	GCT36079BCSS	■
520 x 4.6	158	48	25	GCT52046BCSS	■
520 x 7.9	158	122	25	GCT52079BCSS	■
620 x 4.6	190	48	25	GCT62046BCSS	■

*Box quantity refers to quantity of packs

Length x Width (mm)	Max. Bundle Diameter (mm)	Min. Loop Tensile Strength (kg)	Box Quantity*	SKU	Colour
620 x 7.9	190	122	20	GCT62079BCSS	■
840 x 4.6	260	48	25	GCT84046BCSS	■
840 x 7.9	260	122	10	GCT84079BCSS	■
1000 x 4.6	311	48	25	GCT100046BCSS	■
1000 x 7.9	311	122	10	GCT100079BCSS	■

*Box quantity refers to quantity of packs

Fitting Stainless Steel Cable Ties

We recommend fitting stainless steel cable ties with one of our installation tools.

Whilst it is possible to install them by hand, it is essential that the tool is used to tension the cable ties, particularly when using larger sizes within the range.



Product features:

- High quality stainless steel cable tie tensioning and cutting tool
- Heavy duty tool with adjustable tension pressure
- Compatible with stainless steel cable ties including the coated range

Tool Length x Width (mm)	Use (Type of Cable Tie)	Cable Tie Thickness (mm)	Cable Tie Width (mm)	SKU	Colour
178 x 140	Stainless Steel	Up to 0.3	4.5 - 7.9	GCTSSIT	■

Disclaimer Notice

The above information is given only as a guide, the user should ensure that the performance of the product is sufficient for application. The quoted values are average and should not be taken as maximum or minimum values for specific purposes. GTSE cannot be held responsible for product failure unless full testing has been carried out. The user has to decide on the cable ties suitability for their own applications.