

Stainless Steel Cable Ties — Black Epoxy Coated

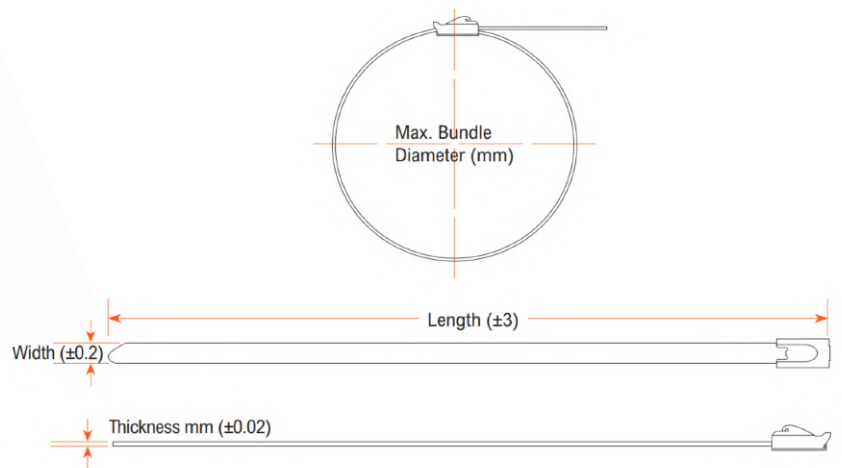


Product features:

- Extremely high tensile strength
- Resistant to weathering, ageing, fire and chemicals
- High temperature range

Technical Information

Quantity	100 cable ties per pack
Material	Marine Grade 316 Stainless Steel
Coating	Black Epoxy Coating
Operating temperature	-60°C to +150°C
Compliance	UL94



Length x Width (mm)	Max. Bundle Diameter (mm)	Min. Loop Tensile Strength (kg)	Box Quantity*	SKU	Colour
150 x 4.6	40	48	50	GCT15046ECSS	■
150 x 7.9	40	123	25	GCT15079ECSS	■
200 x 4.6	56	48	50	GCT20046ECSS	■
200 x 7.9	56	123	25	GCT20079ECSS	■
260 x 4.6	75	48	50	GCT26046ECSS	■
300 x 4.6	88	48	50	GCT30046ECSS	■
300 x 7.9	88	123	25	GCT30079ECSS	■
360 x 4.6	107	48	25	GCT36046ECSS	■
360 x 7.9	107	123	25	GCT36079ECSS	■
520 x 4.6	158	48	25	GCT52046ECSS	■
520 x 7.9	158	123	25	GCT52079ECSS	■

*Box quantity refers to quantity of packs

Length x Width (mm)	Max. Bundle Diameter (mm)	Min. Loop Tensile Strength (kg)	Box Quantity*	SKU	Colour
620 x 4.6	190	48	25	GCT62046ECSS	■
620 x 7.9	190	123	20	GCT62079ECSS	■
840 x 4.6	260	48	25	GCT84046ECSS	■
840 x 7.9	260	123	10	GCT84079ECSS	■
1000 x 4.6	311	48	25	GCT100046ECSS	■
1000 x 7.9	311	123	10	GCT100079ECSS	■

*Box quantity refers to quantity of packs

Fitting Stainless Steel Cable Ties

We recommend fitting stainless steel cable ties with one of our installation tools.

Whilst it is possible to install them by hand, it is essential that the tool is used to tension the cable ties, particularly when using larger sizes within the range.

Product features:

- High quality stainless steel cable tie tensioning and cutting tool
- Heavy duty tool with adjustable tension pressure
- Compatible with stainless steel cable ties including the coated range



Tool Length x Width (mm)	Use (Type of Cable Tie)	Cable Tie Thickness (mm)	Cable Tie Width (mm)	SKU	Colour
178 x 140	Stainless Steel	Up to 0.3	4.5 - 7.9	GCTSSIT	■

Disclaimer Notice

The above information is given only as a guide, the user should ensure that the performance of the product is sufficient for application. The quoted values are average and should not be taken as maximum or minimum values for specific purposes. GTSE cannot be held responsible for product failure unless full testing has been carried out. The user has to decide on the cable ties suitability for their own applications.